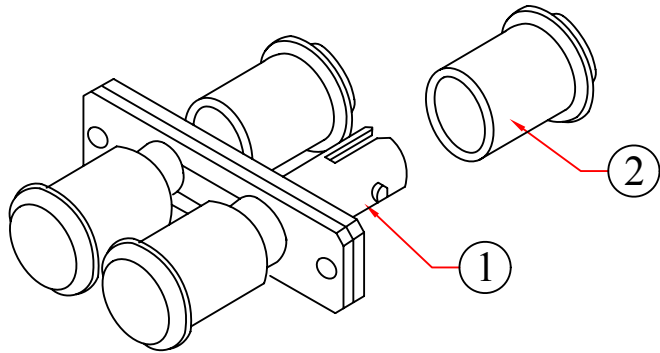
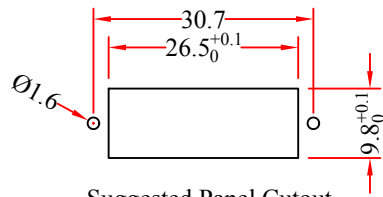
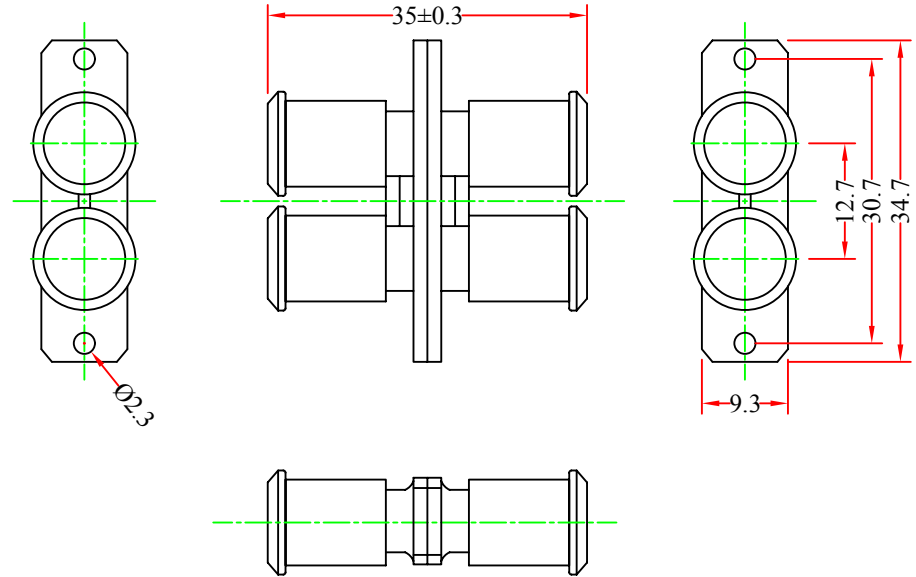


RoHS

REV.	DESCRIPTION	DATE
A		08-2013



SCALE 1/1



Suggested Panel Cutout

Notes:

1. Operation Temperature: -20 °C to +70 °C
2. Durability: 500 Cycles
3. Insertion Loss: <0.3 dB

4	
3	
2	ST Dust Cover, PVC/ Black
1	ST Duplex Type, Multimode, Housing, PBT, UL 94V-0, Ivory Color
NO.	SPECIFICATIONS
	BOM LIST

ITEM NUMBER	31F1-TT410			DRAWER	JL
TITLE	Fiber Optic Coupler, ST/ST Female, Duplex, Plastic Housing			CHECKED	
MATERIAL		SCALE		APPROVED	
REV.	A	UNIT	MM		
DRAWING NO:				 888-212-8295	