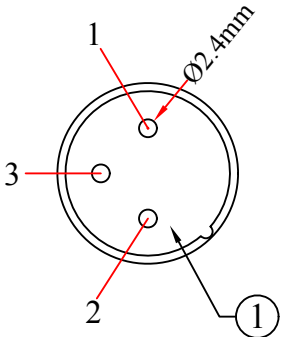
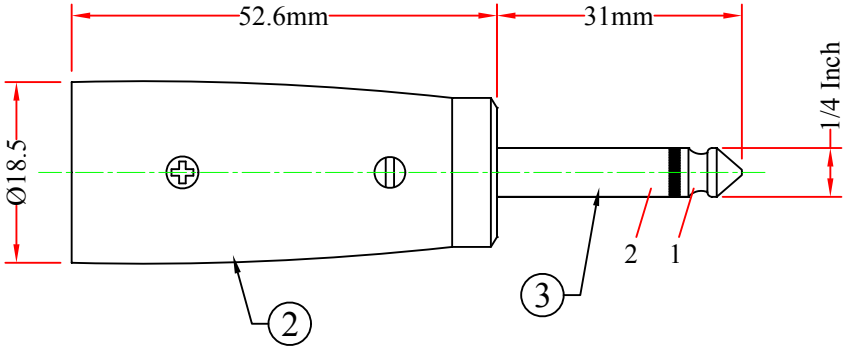


RoHS

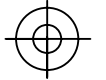
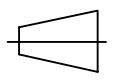
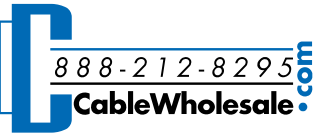
REV.	DESCRIPTION	DATE
		06-2013



XLR 3P Male



1/4 Inch Mono Male

		ITEM NUMBER	10XR-12100			DRAWER	JL	
		TITLE	XLR Male to 1/4 Mono Male Adapter			CHECKED		
							APPROVED	
3	1/4 Inch Mono Male, Brass / Nickel Plated	MATERIAL		SCALE		 		
2	Shell, Zinc / Nickel Plated	REV.	A	UNIT	INCH			
1	XLR 3P Male, Contacts: Brass / Nickel Plated, Insulator: Plastic / Blue	DRAWING NO:						
NO.	SPECIFICATIONS	NO.(ID)	108					
BOM LIST								