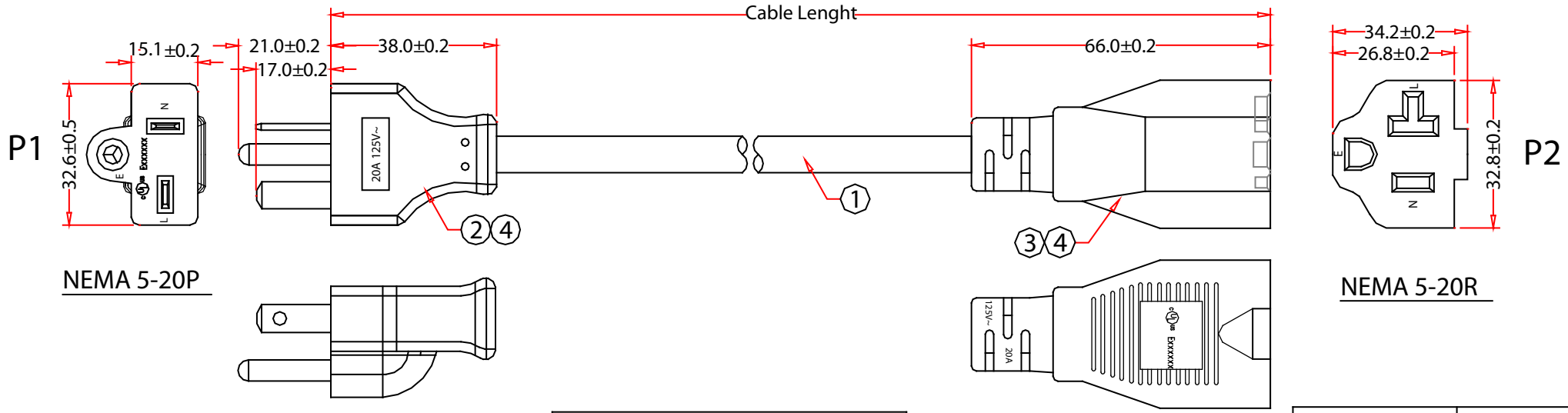


Rev.	Description	Date
A		12-2020



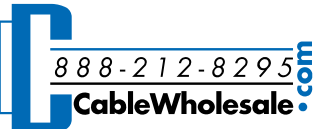
NEMA 5-20P

NEMA 5-20R

RoHS

Pin Assignment	
P1	P2
L — Black — L	
N — White — N	
E — Green — E	

PART NO.	CABLE LENGTH
10W3-02301	1 FT
10W3-02303	3 FT
10W3-02306	6 FT
10W3-02310	10 FT
10W3-02315	15 FT
10W3-02325	25 FT

		Item Number:	10W3-023xx	
		Title:	Black NEMA 5-20P TO NEMA 5-15R, 12/3, 20 Amp, UL Listed, SJT	
		Drawn by:	JL	
		Approved by:	MAC	
		ID:	1	
No.	Specifications			
4	Black Molded PVC Hood			
3	UL/CSA Approved NEMA 5-20R, Color: Black			
2	UL/CSA Approved NEMA 5-20P, Color: Black			
1	UL Approved SJT 12AWG(3.31MM ²)*3C 105°C/300V, OD:11.0±0.3mm, Black			