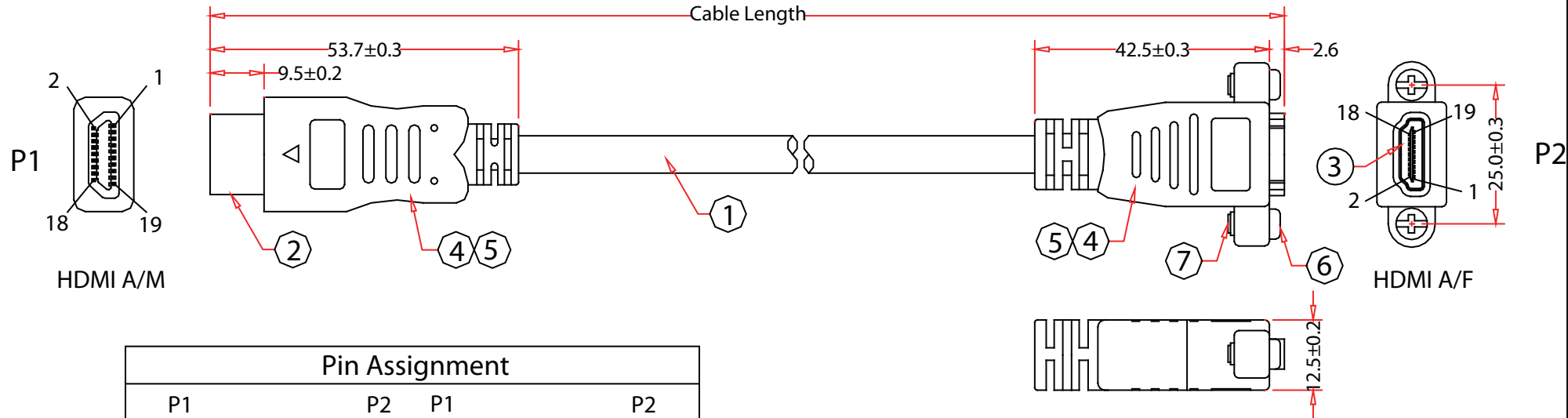


Rev.	Description	Date
A		11-2020

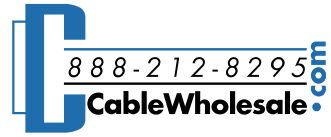


Pin Assignment			
P1	P2	P1	P2
1	1	10	10
3	3	12	12
2	2	11	11
4	4	14	14
6	6	19	19
5	5	17	17
7	7	13	13
9	9	15	15
8	8	16	16
		18	18
		Shell	Shell

RoHS

PART NO.	CABLE LENGTH
10V3-12201	1 FT
10V3-12203	3 FT
10V3-12206	6 FT
10V3-12210	10 FT

7	Scres, 4-40# 5.5*8mm
6	Hex-Nut, 4-40# 5*7.7mm
5	Outer Molded PVC Black
4	Inner Molded PE Transparent
3	HDMI 19P Female, Gold Flash on Contacts & Gold Connector, Black Insulation, with PCB
2	HDMI 19P Male, Gold Flash on Contacts & Gold Connector, Black Insulation
1	HDMI 1.4v, UL20276 [(28AWG*1P+AL+D+MY)*5Pcs+(28AWG*4C)]+AL+Drain +AMA Braid (45%), OD: 7.3mm, Black PVC Jacket
No.	Specifications

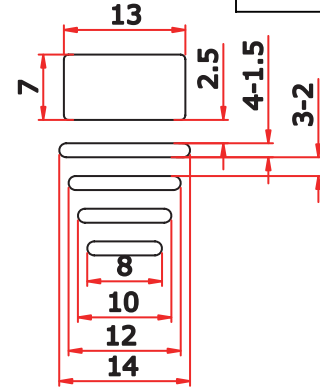
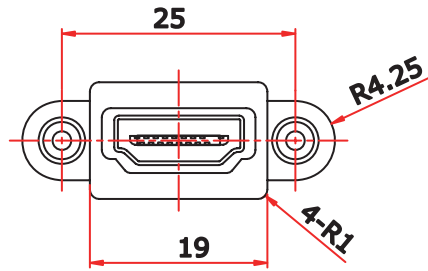
Item Number:	10V3-122xx	
Title:	HDMI Extension Cable, High Speed with Ethernet, HDMI-A male to Panel Mount HDMI-A female 4K @ 30Hz	
Drawn by:	JL	
Approved by:	MAC	
ID:	1	

Rev.	Description	Date
A		11-2020

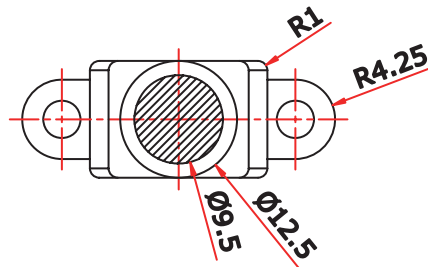
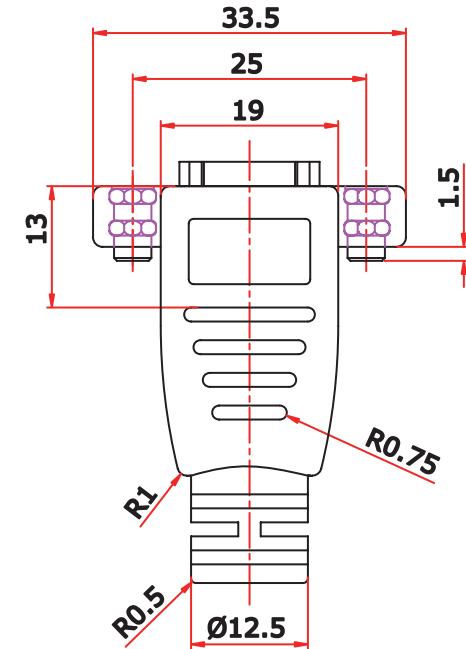
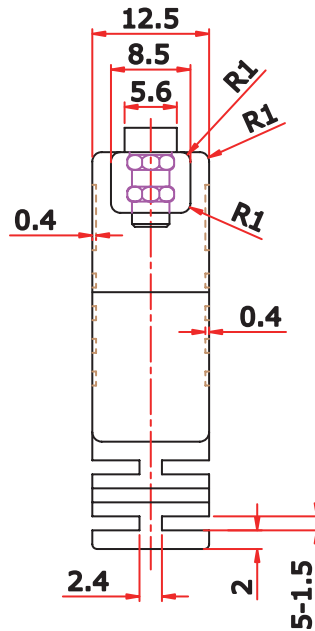
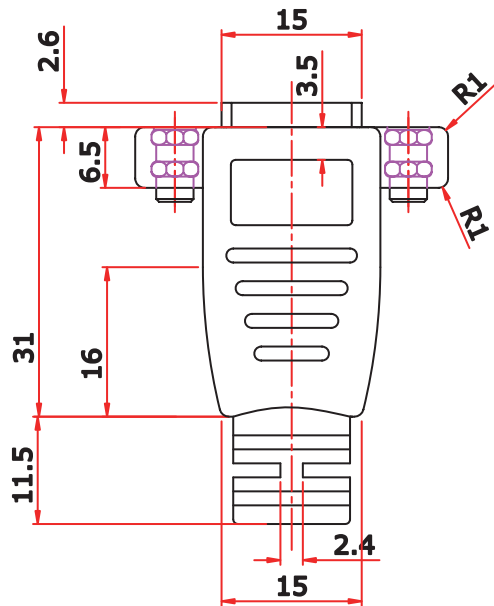
Tolerance (mm)

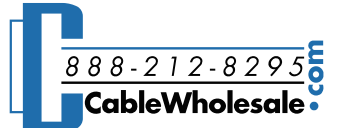
Length
 Tolerance:
 0~5.0 ±0.05
 5.0~10.0 ±0.1
 10.0~18.0 ±0.2
 18.0~30.0 ±0.3
 >30.0 ±0.3

Angle
 Tolerance:
 <3° ±0.1°
 3°~10° ±0.2°
 10°~25° ±0.3°
 >25.0° ±0.5°



RoHS



Item Number:	HDMI 19P Female	
Title:	Engineering Drawing	
Drawn by:	JL	
Approved by:	MAC	
ID:	1	