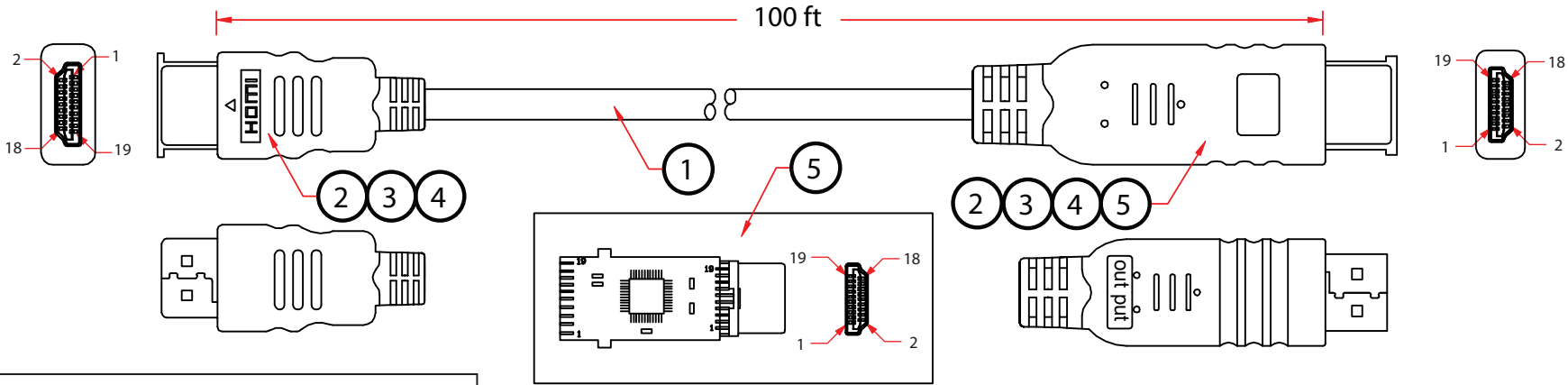
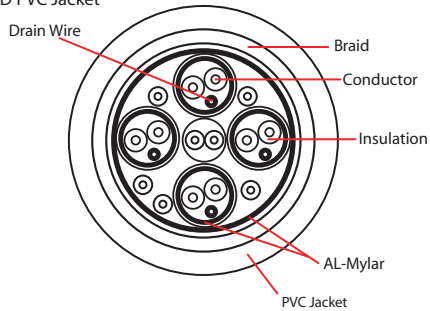


REV.	DESCRIPTION	DATE
A		
B		04-2009



Cable Specifications:

26AWG 7/0.16mm Stranded Tinned Copper Conductor
 0.025mm AL-Mylar Foil Shield
 Copper Braid
 0.58mm Foam PE(1P*4) and 0.50mm HD-PE(1P+5C) Insulation
 26AWG 7/0.16mm Stranded Tinned Copper Drain Wire
 8.0 mm OD PVC Jacket



Pin Assignment

HDMI Male	HDMI Male	HDMI Male	HDMI Male
1	White	10	White
2	Drain	11	Drain
3	Red	12	Green
4	White	13	Black
5	Drain	14	White
6	Brown	15	Red
7	White	16	Grey
8	Drain	17	Yellow
9	Blue	18	Orange
		19	Purple
		Shell	Braid
			Shell



7	
6	
5	PCB
4	45P PVC, Color: Black
3	Inner Molding, Color: Clear
2	HDMI 19/M 30U, Insulation: Black, Solder Type, HDMI Shell: Gold Plated, 15u
1	CL2 Inwall Rated, UL20276 3C [(26AWG*1P + Drain) w/Al-Foil] *4 + 26AWG*1P + 26AWG*5C, w/Al-Foil + Braid,(65% Coverage,16/9/0.10 Tinned Copper) OD: 8.0mm, Black PVC Jacket
NO.	SPECIFICATIONS
	BOM LIST

ITEM NUMBER	HDMI-411HD		DRAWER	LIBRA
TITLE	HDMI Male to HDMI Male Cable w/ PCB,1.3b, 100 ft		CHECKED	
MATERIAL		SCALE		
REV.	A	UNIT		
DRAWING NO:				

