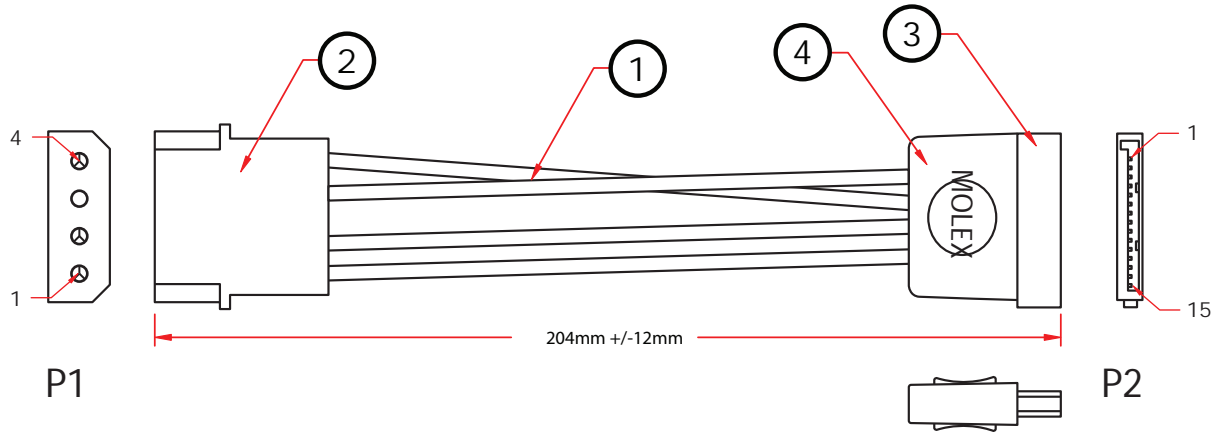


REV.	DESCRIPTION	DATE
A		
B		08-2007



Pin Configuration			
P1	Color	P2	Symbol
1	Yellow	13.14.15	12V
2	Black	10.11.12	GND
3	Black	4.5.6	GND
4	Red	7.8.9	5V
		1.2.3	

4	Molding - Black PVC
3	P2 - 15 Pin ATA Connector Male
2	P1 - 4 Pin Housing Connector Male (UL/CSA Approved)
1	Cable - UL1007 E77981 18AWG
NO.	SPECIFICATIONS
	BOM LIST

ITEM NUMBER	31SA-001P		DRAWER	MPD
TITLE	Serial ATA Power Converter 8"		CHECKED	MAC
MATERIAL	SCALE		APPROVED	MAC
REV.	A	UNIT	INCH	
DRAWING NO:				
			 888-212-8295.com	