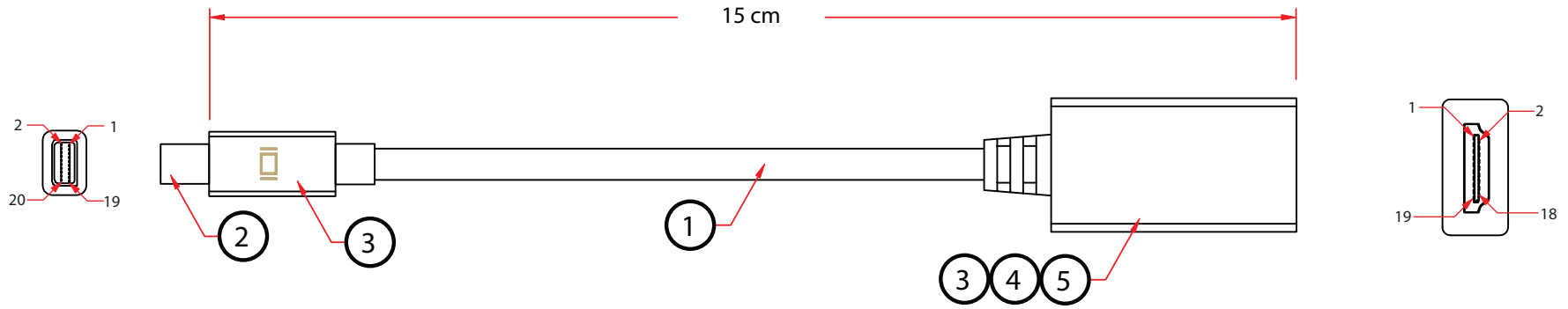


REV.	DESCRIPTION	DATE
A		
B		07-2009



Pin Assignment					
miniDP Male		PCB Faceside		miniDP Male	PCB Backside
3	Red	3	Green	20	20
5	White	5	Yellow	2	2
7	Drain	7	Drain	14	14
15	Green	15	Purple	6	6
17	White	17	White	12	12
8	Drain	8	Blue	10	10
4	White	4	Drain	13	13
16	Black	16	White	11	11
18	White	18	Brown	9	9
19	Drain	19	Drain	1	1
				Shell	Shell

RoHS

7		ITEM NUMBER	30H1-63000		DRAWER	LIBRA
6		TITLE	Mini DisplayPort Male to HDMI Female Adapter Cable		CHECKED	
5	PCB+SMT	MATERIAL		SCALE	APPROVED	
4	HDMI 19Pin/F, Gold Plated, Gold Plated Shell	REV.	A	UNIT		
3	ABS Shell	DRAWING NO:		INCH		
2	miniDP 20Pin/M, Gold Plated, Nickel Plated Shell				 888-212-8295.com	
1	UL Approved AWM 20276 (32AWG*1P+Drain)*5C+32AWG*5C+AL-Foil+AL Braid(85% Coverage) , OD: 4.8mm, Color: White					
NO.	SPECIFICATIONS					
	BOM LIST					