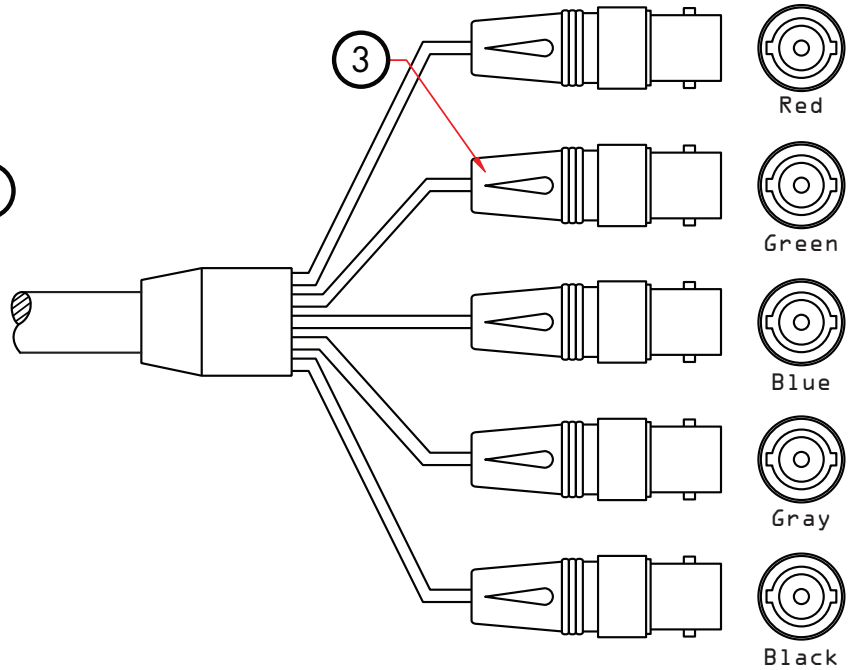
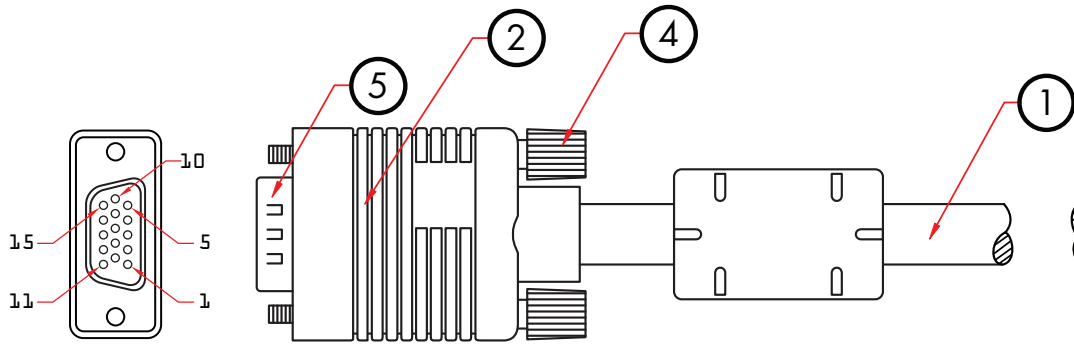


REV.	DESCRIPTION	DATE
A		
B		09-2006



HD15 / F

Pin Assignment	
HD15 Female	BNC Female
1	Red Center
6	Red Shield
2	Green Center
7	Green Shield
3	Blue Center
8	Blue Shield
13	Gray Center
11	Gray Shield
14	Black Center
10	Black Shield
4	
Shell	Shell

BNC x 5 / F

PART NO.	CABLE LENGTH
10H1-17401	1 ft

5	HD15 (SVGA) Female w/Gold Flash Plating Contacts. Shell Nickel Plated
4	4/40 Molded Thumbscrews
3	BNC Female Connector w/Gold Flash Plating Contacts. Shell Nickel Plated
2	Beige Molded PVD Hood, Fully Shielded w/Al-Foil
1	28AWG (7*0.12) Coax Wire*5C Shield w/Spiral Inner Jacket PVC Color: Red, Green, Blue, Gray and Black. Insulations: OD 2.5mm + Filler + Al-Mylar + Drain + Braid (85%). Outer Jacket PVC OD 9.0mm. UL2919 Approved, Beige.
NO.	SPECIFICATIONS

ITEM NUMBER	10H1-174xx		DRAWER	MPD
TITLE	HD15 Female / BNC x 5 Female Video Cable		CHECKED	MAC
MATERIAL	SCALE		APPROVED	MAC
REV.	A	UNIT	INCH	
DRAWING NO:			 888-212-8295.com	
BOM LIST				