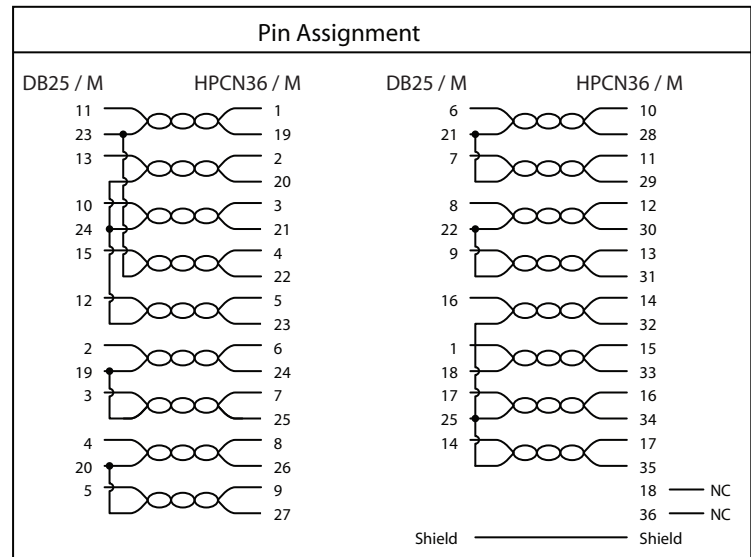
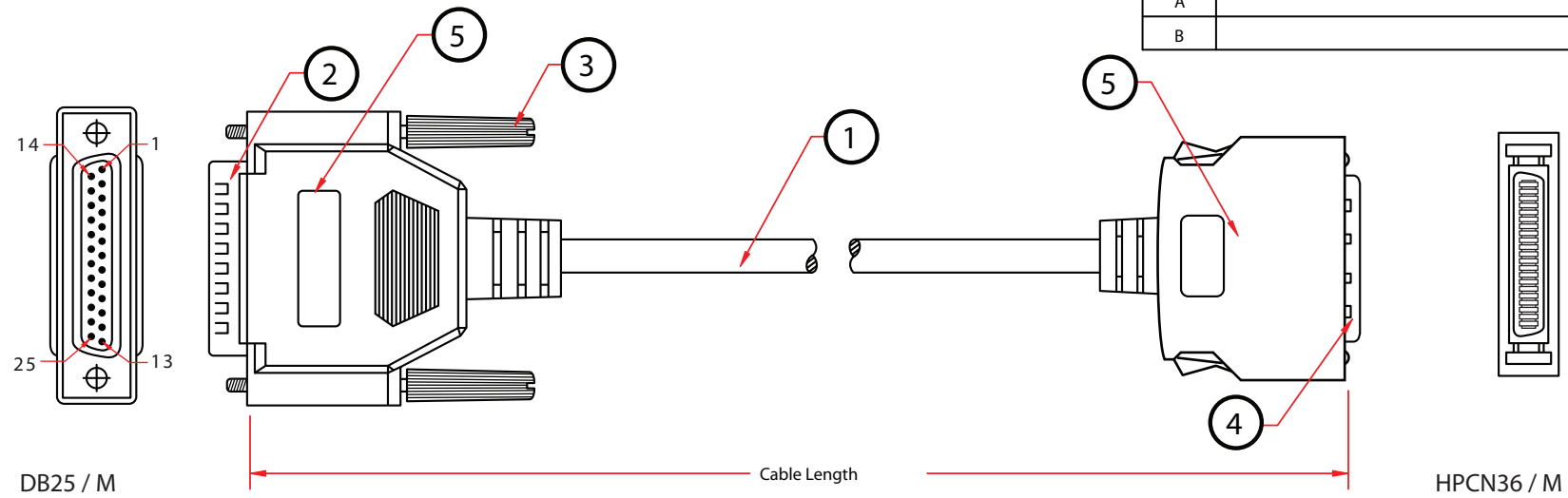


REV.	DESCRIPTION	DATE
A		
B		09-2006



PART NO.	CABLE LENGTH
10E2-02103	3 ft
10E2-02106	6 ft
10E2-02110	10 ft

5	Beige Molded PVD Hood, Fully Shielded w/AL-Foil
4	HPCN36 Male w/Gold Plating Contacts
3	4/40 Molded Thumbscrew, Beige
2	DB25 Male w/Gold Plating Contacts
1	IEEE-1284 18 Pair (28AWG/7*0.12) + Drain (26AWG/7*0.16) Wire, Double Shield w/AL-Foil, OD: 8.0mm, Beige Outer PVC Jacket
NO.	SPECIFICATIONS
	BOM LIST

ITEM NUMBER	10E2-021xx		DRAWER	MPD
TITLE	DB25 Male / HPCN36 Male IEEE-1284 Printer Cable		CHECKED	MAC
			APPROVED	MAC
MATERIAL		SCALE		
REV.	A	UNIT		
DRAWING NO:				

