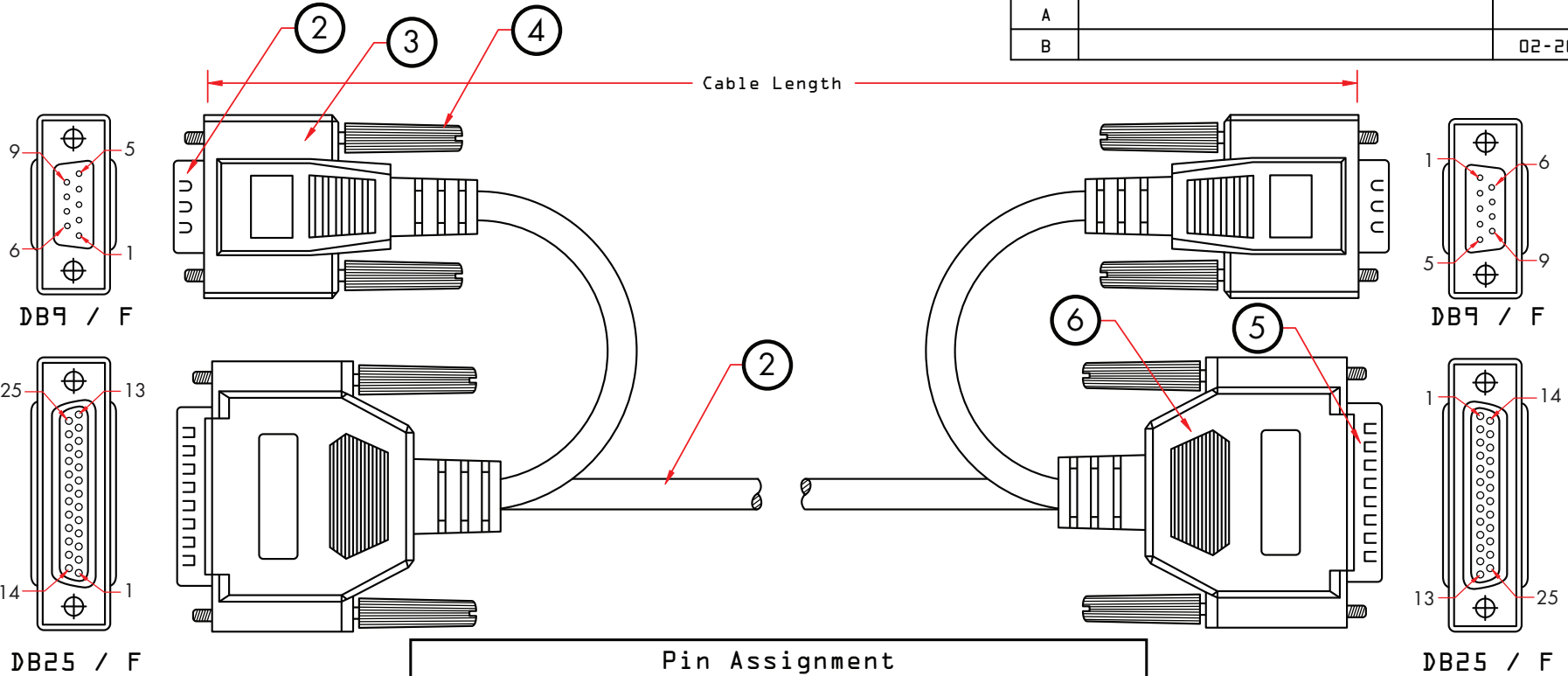


REV.	DESCRIPTION	DATE
A		
B		02-2006



RoHS  
Compliant

Pin Assignment			
DB9 Female	DB25 Female	DB25 Female	DB9 Female
3	2	3	2
2	3	2	3
7	4	5	8
8	5	4	7
6	6	20	4
5	7	7	5
4	20	6	6
6	6	6	6

PART NO.	CABLE LENGTH
10D1-09806	6 ft
10D1-09810	10 ft

6	Beige Molded PVC Hood, Fully Shielded w/AL-Foil	ITEM NUMBER	10D1-098xx	DRAWER	MPD
5	DB25 Female W/Gold Plating Contacts	TITLE	DB9 Female + DB25 Female to DB9 Female + DB25 Female, 7C, Data Transfer Cables	CHECKED	MAC
4	4-40 Molded Thumb Screw, Beige	MATERIAL		APPROVED	MAC
3	Beige Molded PVC Hood, Fully Shielded w/AL-Foil	REV.	A		
2	DB9 Female W/Gold Plating Contacts	UNIT	INCH		
1	7C (28AWG/7*0.12) + Drain (26AWG/7*0.16) Wire, Single Shielded w/AL-Foil, Beige Outer PVC Jacket	DRAWING NO:			
NO.	SPECIFICATIONS				
	BOM LIST				

888-212-8295  
CableWholesale.com